

HIGH-SPEED DOOR HSC903AGAT

BREAK-AWAY AND AUTOMATIC RESET SYSTEM

If a door is hit by a vehicle during operation, the resistant door curtain absorbs the impact and releases itself from its side guides, minimizing damage. The door reinserts itself automatically within the next open and close cycle. This unique feature makes the door crash-resistant, reducing damage, production downtime and repair costs.

WINDOWS AND VISION PANELS

To increase the admission of daylight or to improve the visibility, the door curtain can be equipped with windows or vision panels. Windows have fixed sizes and are located on a pre-defined grid. A vision panel is always located on the full width of the door curtain.

SOFT BOTTOM BEAM

The soft bottom beam is a flexible floor sealing that contains a wireless detection device. When the door is hit by a vehicle, the curtain dislocates from the side column and automatically resets itself immediately during movement or during the next opening cycle.

DOOR CURTAIN

The door curtain is constructed from one single piece of PVC fabric. The door curtain rolls up above the door opening and requires little space.



Normstahl high-speed door HSC903AGAT

MAIN FEATURES

- Small-sized, max. 4,000 x 4,000 mm
- For indoor use
- Airtight door for use in cleanrooms
- Galvanised steel construction
- Opening speed of up to 2,7 m/s, closing speed 0,5 m/s

TECHNICAL DATA

Min size (W x H)	1,000 x 2,000 mm
Max size (W x H)¹⁾	4,000 x 4,000 mm ²⁾
Operating speed³⁾	Opening: up to 2,7 m/s Closing: 0,5 m/s
Wind load resistance, EN 12424	Class 1 (300 Pa (N/m ²)) Maximum wind load while closing 50 Pa (N/m ²)
Water penetration, EN 12425	Class 3 (50 Pa (N/m ²))
Air permeability, EN 12426	Class 4 (3m ³ /(m ² ·h) at 50 Pa) overpressure Class 3 (6m ³ /(m ² ·h) at 50 Pa) underpressure
Thermal transmittance	6,02 W/(m ² K)
Performance Test	1,000,000 Cycles

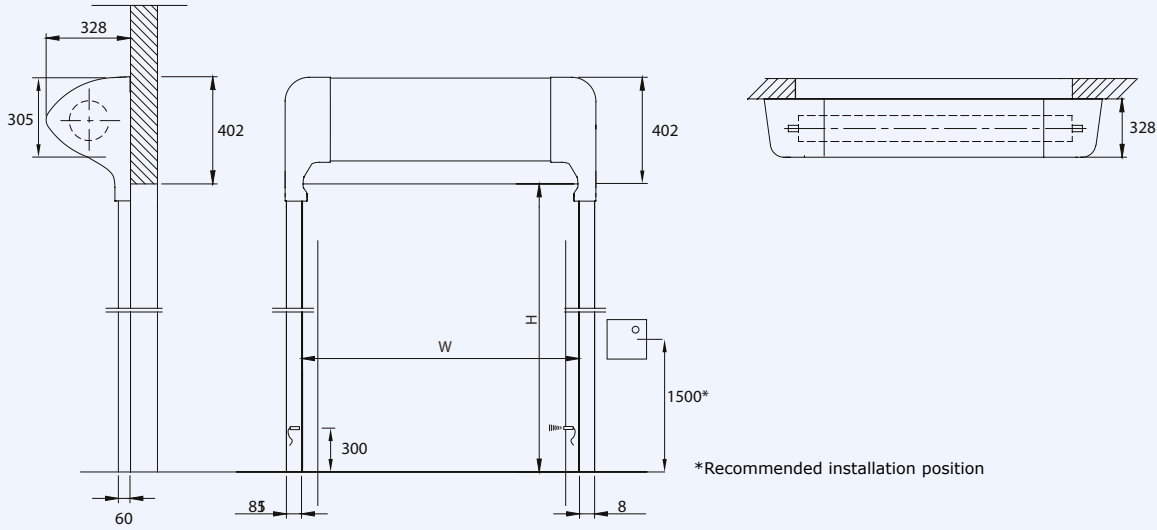
1) Other sizes available on request
2) Depending on door width
3) Depending on door size

VERY COMPACT, AIRTIGHT DOOR FOR CLEANROOM ENVIRONMENT

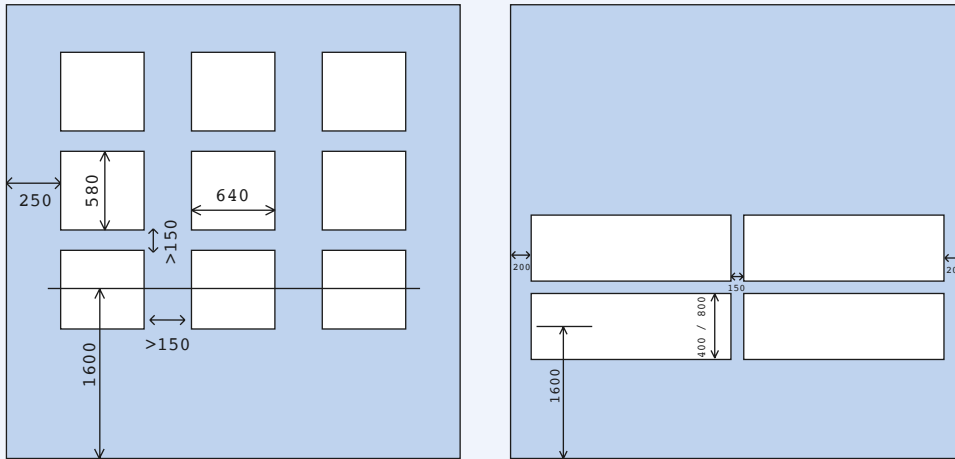
The Normstahl HSC903AGAT high-speed door is a compact, airtight door with integrated motor for inside environments, type cleanroom. The door offers perfect sealing thanks to a unique design.

The Normstahl HSC903AGAT high-speed door requires very little space, and it is the most space-efficient high speed door available in the market.

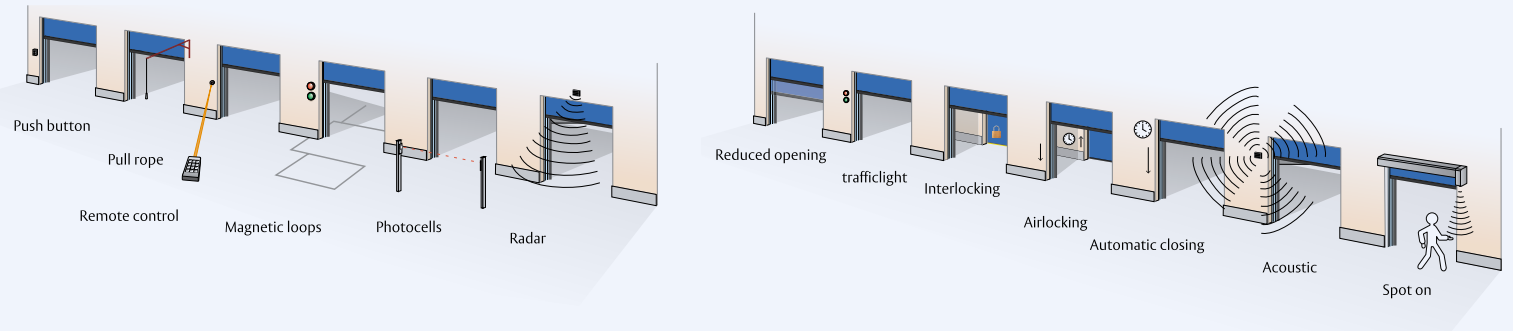
DIMENSIONAL SPECIFICATION



WINDOWS AND VISION PANELS



OPTIONS ACCESS AND AUTOMATION



AVAILABLE STANDARD COLOURS

