

HIGH-SPEED DOOR HSC903AG

BREAK-AWAY AND AUTOMATIC RESET SYSTEM

If a door is hit by a vehicle during operation, the resistant door curtain absorbs the impact and releases itself from its side guides, minimizing damage. The door reinserts itself automatically within the next open and close cycle. This unique feature makes the door crash-resistant, reducing damage, production downtime and repair costs.

WINDOWS, VISION PANELS AND INSECT SCREENS

To increase the admission of daylight or to improve the visibility or airflow, the door curtain can be equipped with windows, vision panels or insect screens. Windows and insect screens have fixed sizes and are located on a pre-defined grid. A vision or insect screen panel is always located on the full width of the door curtain.

SOFT BOTTOM BEAM

The soft bottom beam is a flexible floor sealing that contains a wireless detection device. When the door is hit by a vehicle, the curtain dislocates from the side column and automatically resets itself immediately during movement or during the next opening cycle.

DOOR CURTAIN

The door curtain is constructed from one single piece of PVC fabric. The door curtain rolls up above the door opening and requires little space.



Normstahl high-speed door HSC903AG

MAIN FEATURES

- Small-sized, max. 4,000 x 4,000 mm
- For indoor use
- Most space-efficient high speed door
- Galvanised steel construction
- Insect screens
- Opening speed of up to 2,7 m/s, closing speed 0,5 m/s

TECHNICAL DATA

| | |
|--|---|
| Min size (W x H) | 1,000 x 2,200 mm |
| Max size (W x H)¹⁾ | 4,000 x 4,000 mm ²⁾ |
| Operating speed³⁾ | Opening: up to 2,7 m/s Closing: 0,5 m/s |
| Wind load resistance, EN 12424⁴⁾ | Class 1 (300 Pa (N/m ²)) Maximum wind load while closing 50 Pa (N/m ²) |
| Water penetration, EN 12425⁴⁾ | Class 3 (>50 Pa (N/m ²)) |
| Air permeability, EN 12426 | Class 2 (12m ³ /(m ² ·h) at 50 Pa)* |
| Thermal transmittance | 6,02 W/(m ² K) |
| Performance Test | 1,000,000 cycles |

1) Other sizes available on request 2) Depending on door width
3) Depending on door size 4) Not applicable for insect screens

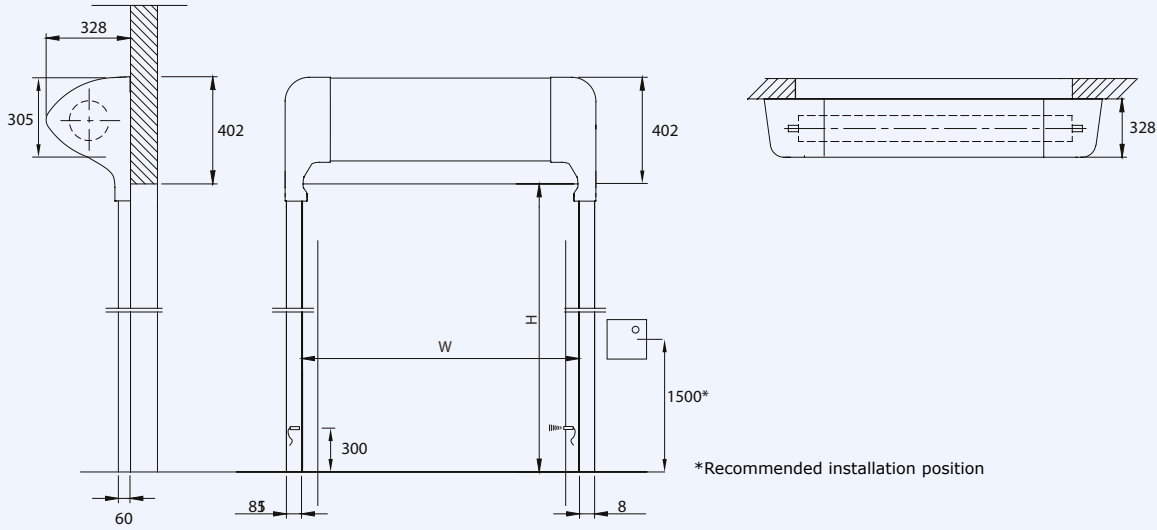
AESTHETIC INTERIOR DOOR WITH HIGHEST SPACE EFFICIENCY

The Normstahl HSC903AG high speed door is designed for interior applications where sealing, aesthetics and space-limitations are important. With its modern design, the Normstahl HSC903AG high-speed door is most space-efficient model available in the market.

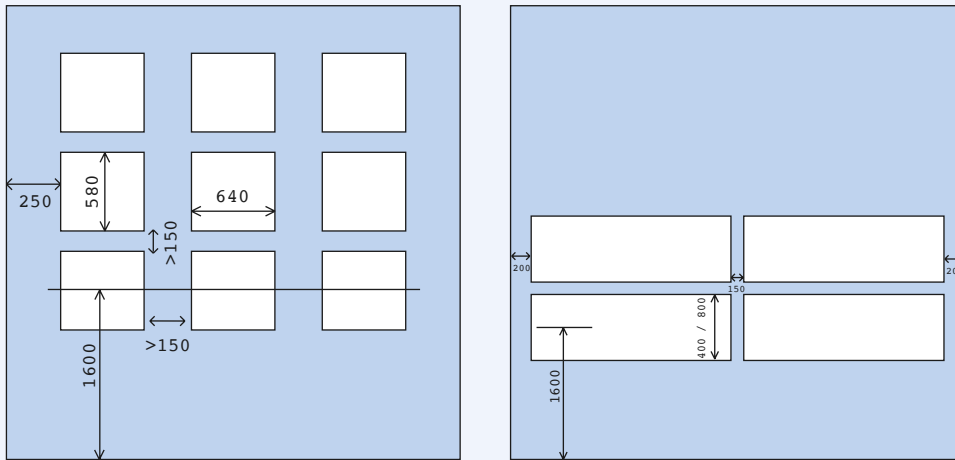
Reduced footprint on both sides of the door give you approximately 30 cm more selling-space compared to other doors. The door offers perfect sealing thanks to a unique design.

The operating speed combined with its sealing properties improves your traffic flow, provides employee comfort and saves energy.

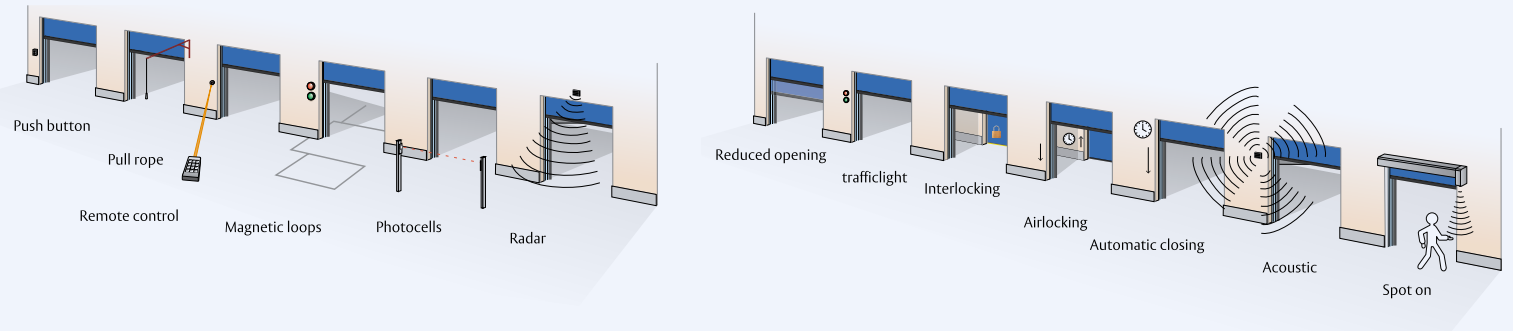
DIMENSIONAL SPECIFICATION



WINDOWS, VISION PANELS AND INSECT SCREENS



OPTIONS ACCESS AND AUTOMATION



AVAILABLE STANDARD COLOURS

